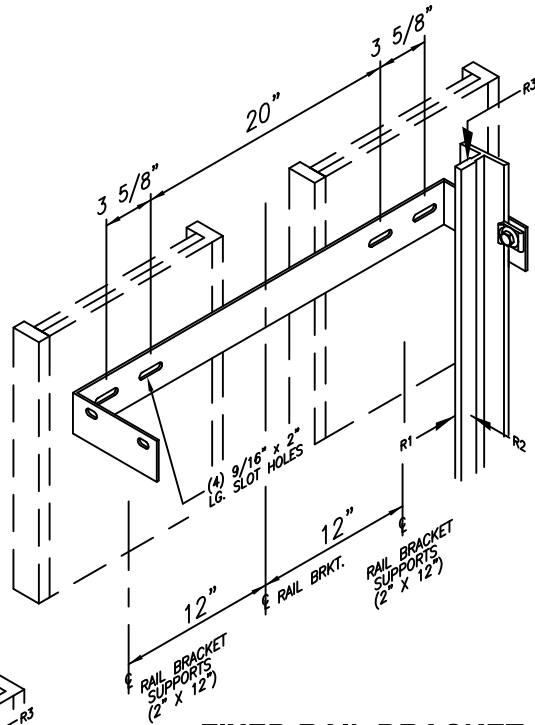
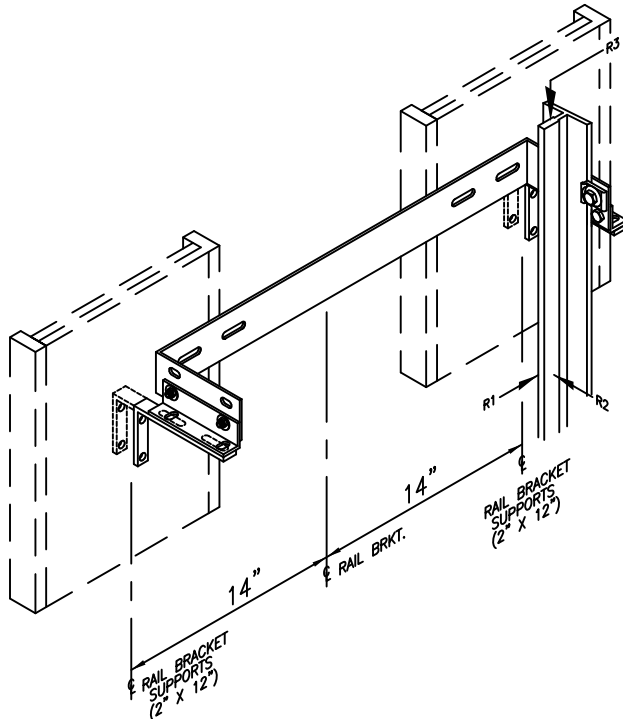


**NOTE:**  
RAIL BRACKET AND PEDESTAL  
BASE MOUNTING HARDWARE IS  
TO BE FURNISHED BY  
ELEVATOR CONTRACTOR



**FIXED RAIL BRACKET  
(STANDARD)**



**ADJUSTABLE RAIL BRACKET  
(OPTIONAL)**

**RAIL FORCES**

	750# CAP.	950# CAP.
R1	65 LBS.	105 LBS.
R2	220 LBS.	250 LBS.
R3	3,205 LBS.	3,730 LBS.

**Rail Brackets**

*Custom*  
**ELEVATOR**  
manufacturing  
company, Inc.

**Custom Elevator Mfg. Co., Inc.**  
5191 Stump Road  
Plumsteadville, PA 18949  
Toll Free: 888-443-2800  
Fax: 215-766-3385

**ROPED HYDRAULIC  
RESIDENTIAL ELEVATOR**