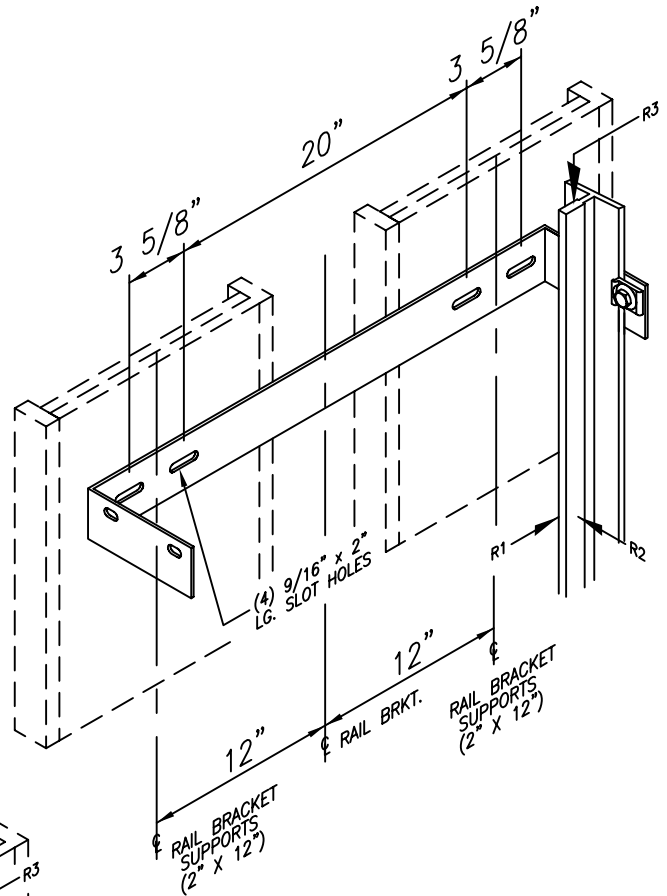


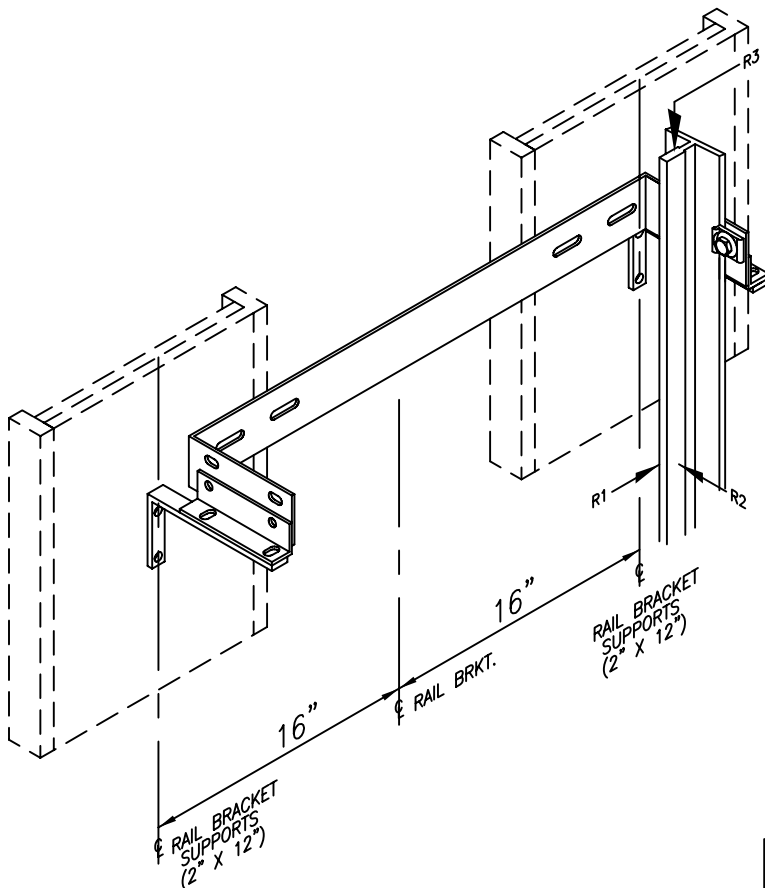
NOTE:
RAIL BRACKET AND PEDESTAL
BASE MOUNTING HARDWARE IS
TO BE FURNISHED BY
ELEVATOR CONTRACTOR



**FIXED RAIL BRACKET
(STANDARD)**

RAIL FORCES

	750 CAP.	950 CAP.
R1	65 LBS	105 LBS
R2	220 LBS	250 LBS
R3	3,205 LBS	3,730 LBS



**ADJUSTABLE RAIL BRACKET
(OPTIONAL)**

RAIL BRACKETS

Custom
ELEVATOR
manufacturing
company, inc.

P.O. BOX 749 5191 STUMP RD.
PLUMSTEADVILLE, PA. 18949
PHONE: 215-766-3380
FAX: 215-766-3385

**ROPED HYDRAULIC
RESIDENTIAL ELEVATOR**