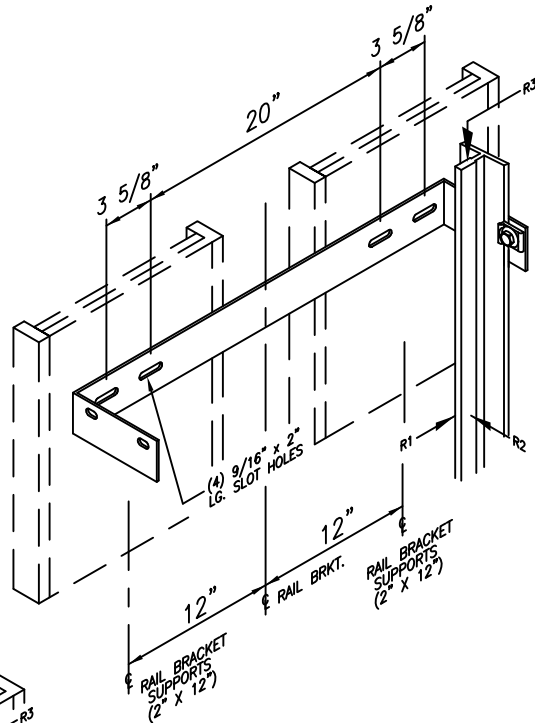


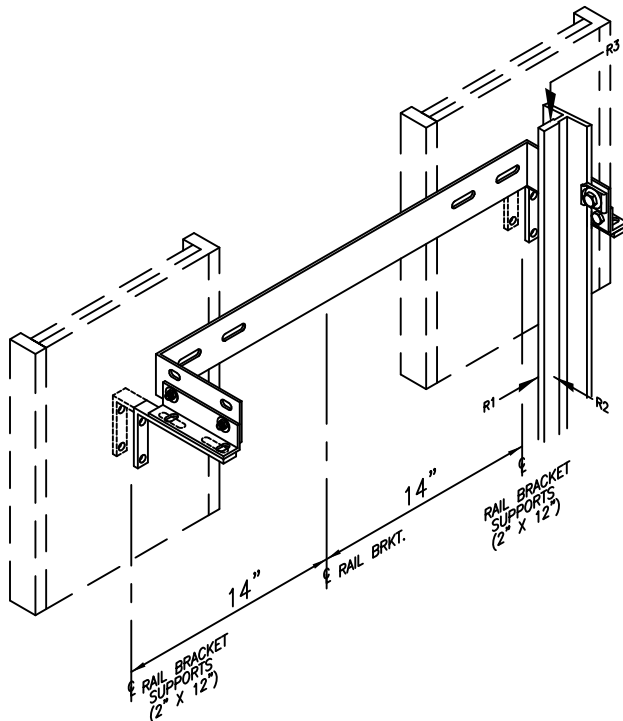
NOTE:
RAIL BRACKET AND PEDESTAL
BASE MOUNTING HARDWARE IS
TO BE FURNISHED BY
ELEVATOR CONTRACTOR



**FIXED RAIL BRACKET
(STANDARD)**

RAIL FORCES

	750# CAP.	950# CAP.
R1	65 LBS.	105 LBS.
R2	220 LBS.	250 LBS.
R3	3,205 LBS.	3,730 LBS.



**ADJUSTABLE RAIL BRACKET
(OPTIONAL)**

Rail Brackets



Custom Elevator Mfg. Co., Inc.
5191 Stump Road
Plumsteadville, PA 18949
Toll Free: 888-443-2800
Fax: 215-766-3385

**CABLE DRIVE
RESIDENTIAL ELEVATOR**