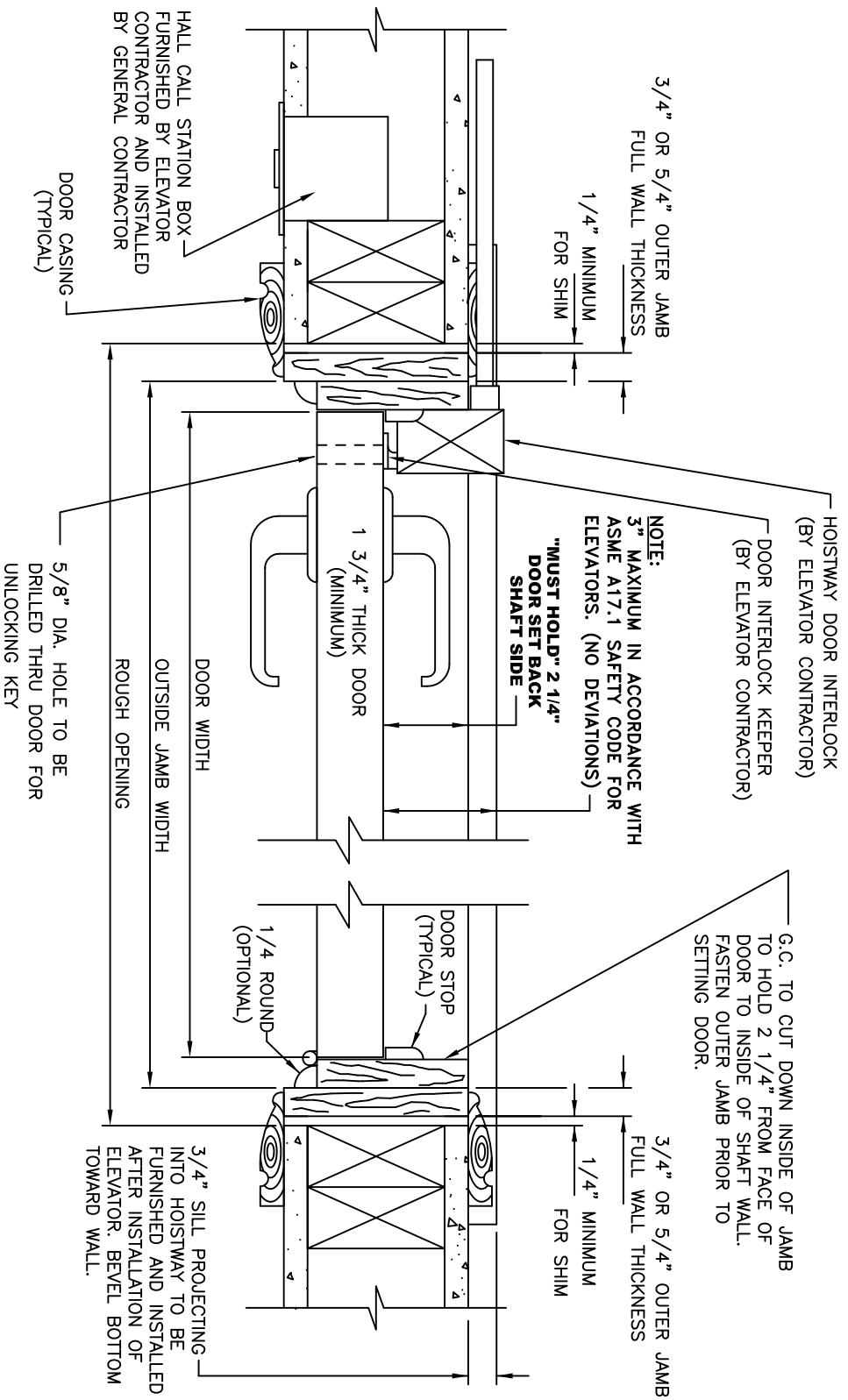


**HOISTWAY DOOR & FRAME DETAIL FOR  
ASME A17.1 CODE COMPLIANT RESIDENTIAL  
ELEVATOR APPLICATIONS**



Custom Elevator Mfg. Co., Inc.  
5191 Stump Road  
Plumsteadville, PA 18949  
Toll Free: 888-443-2800  
Fax: 215-766-3385

**CABLE DRIVE  
RESIDENTIAL ELEVATOR**



TYPICAL STUD AND SHEETROCK  
WALL CONSTRUCTION SHOWN  
(BY G.C.)

LEFT HAND SHOWN  
RIGHT HAND OPPOSITE

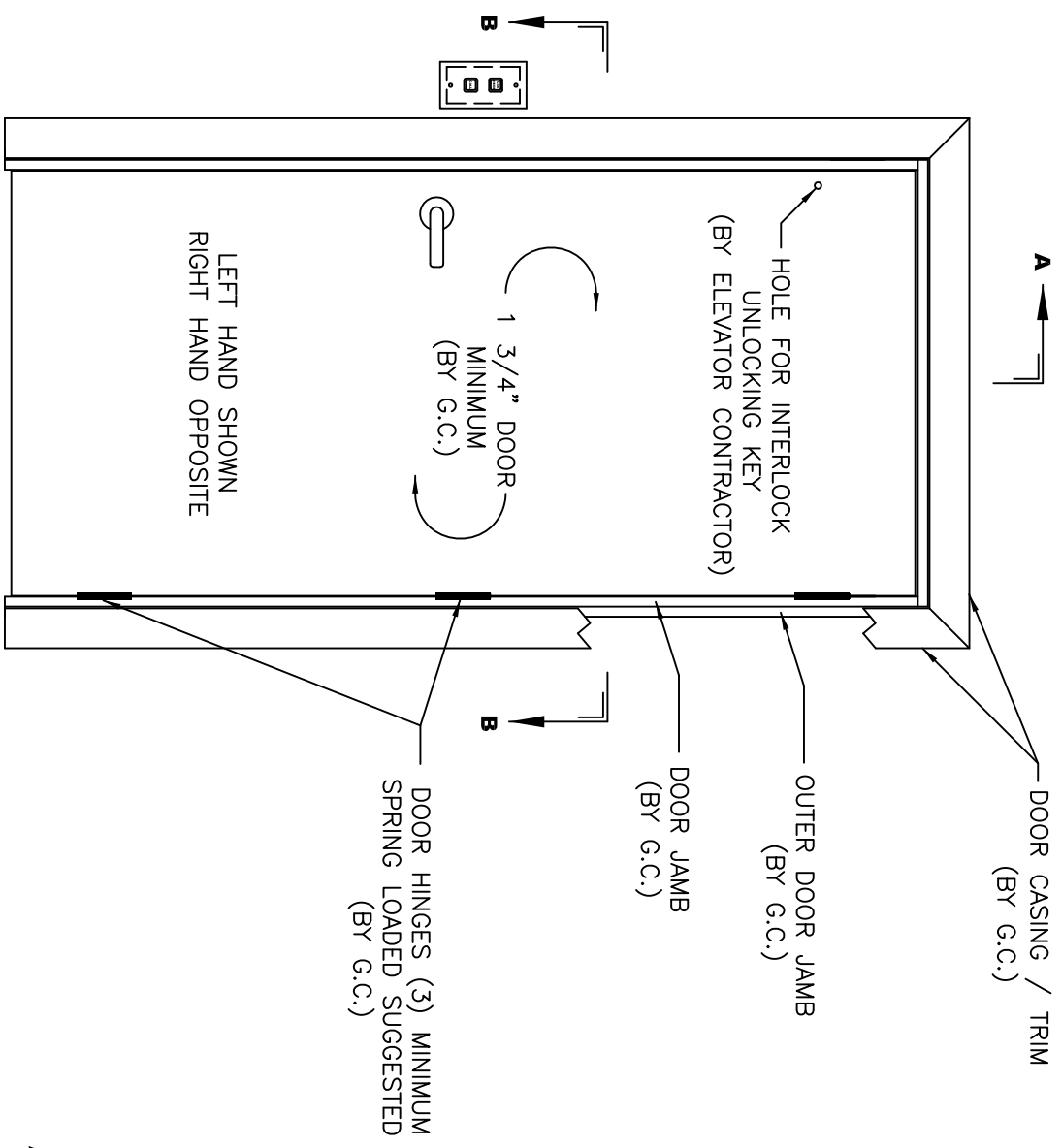
**SECTION B-B**

**HOISTWAY DOOR & FRAME DETAIL FOR  
ASME A17.1 CODE COMPLIANT RESIDENTIAL  
ELEVATOR APPLICATIONS**

**Custom**  
**ELEVATOR**  
manufacturing  
company, Inc.

Custom Elevator Mfg. Co., Inc.  
5191 Stump Road  
Plumsteadville, PA 18949  
Toll Free: 888-443-2800  
Fax: 215-766-3385

**CABLE DRIVE  
RESIDENTIAL ELEVATOR**



LEFT HAND SHOWN  
RIGHT HAND OPPOSITE

**HOISTWAY DOOR & FRAME DETAIL FOR  
ASME A17.1 CODE COMPLIANT RESIDENTIAL  
ELEVATOR APPLICATIONS**

**Custom**  
**ELEVATOR**  
manufacturing  
company, Inc.

Custom Elevator Mfg. Co., Inc.  
5191 Stump Road  
Plumsteadville, PA 18949  
Toll Free: 888-443-2800  
Fax: 215-766-3385

**CABLE DRIVE  
RESIDENTIAL ELEVATOR**