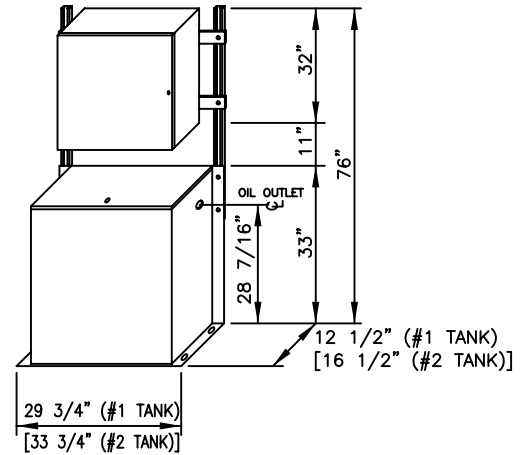
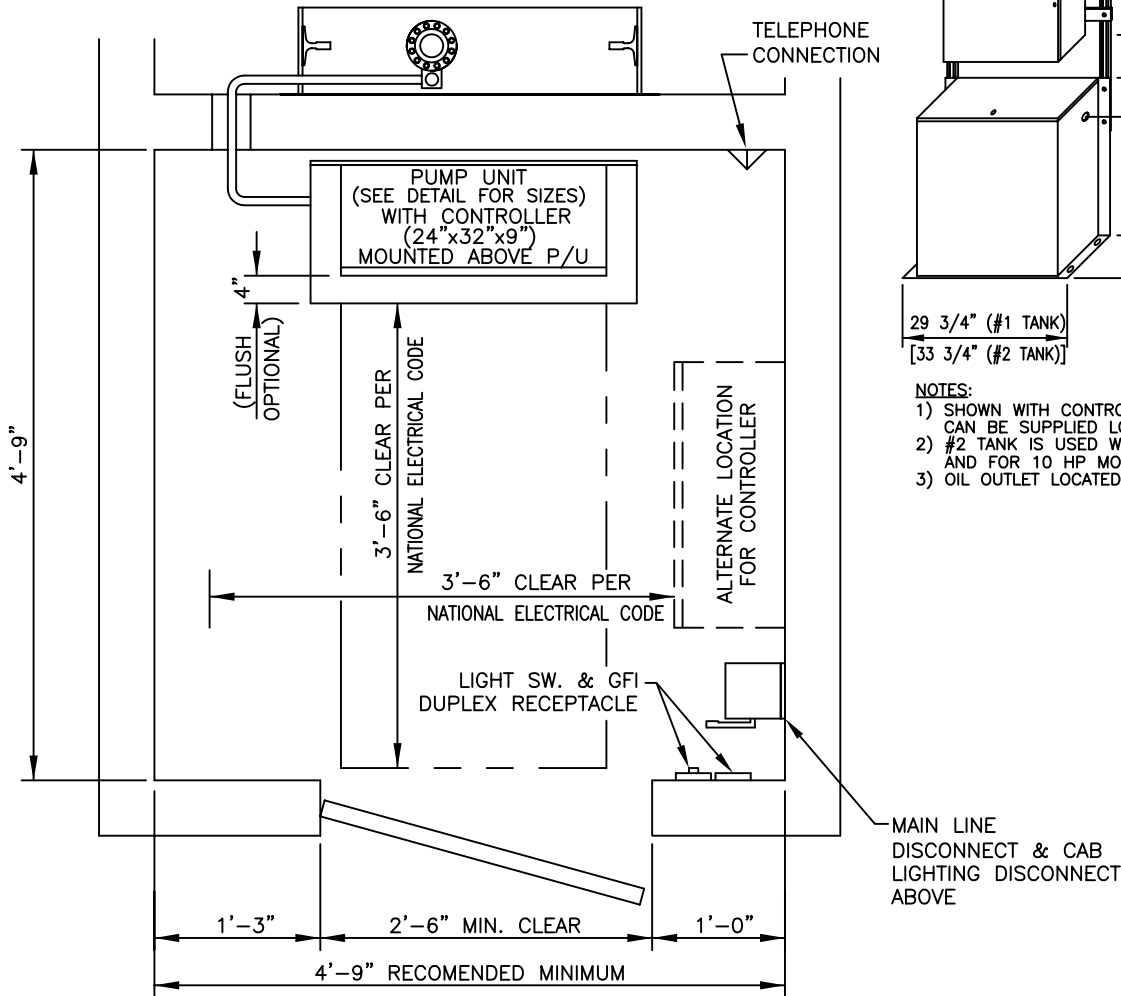


TYPICAL MACHINE ROOM LAYOUT



NOTES:

- 1) SHOWN WITH CONTROLLER MOUNTED TO PUMP UNIT. CAN BE SUPPLIED LOOSE FOR WALL MOUNTING.
- 2) #2 TANK IS USED WHEN TRAVELS EXCEED 40'-0" AND FOR 10 HP MOTORS.
- 3) OIL OUTLET LOCATED ON RIGHT OR LEFT SIDE.

ASME A17.1, RULE 3.19.3.3.1

FLEXIBLE HOSE AND FITTING ASSEMBLIES SHALL NOT BE INSTALLED WITHIN THE HOISTWAY NOR PROJECT INTO OR THROUGH ANY WALL.

PIPE MATERIAL AND ASSOCIATED FITTINGS SHALL COMPLY WITH ASME A17.1, SECTION 3.19 AND SHALL BE FURNISHED BY THE ELEVATOR CONTRACTOR.

MACHINE ROOM

Custom
ELEVATOR
manufacturing
company, inc.

P.O. BOX 749 5191 STUMP RD.
PLUMSTEADVILLE, PA. 18949
PHONE: 215-766-3380
FAX: 215-766-3385

ROPED HYDRAULIC
LULA ELEVATOR